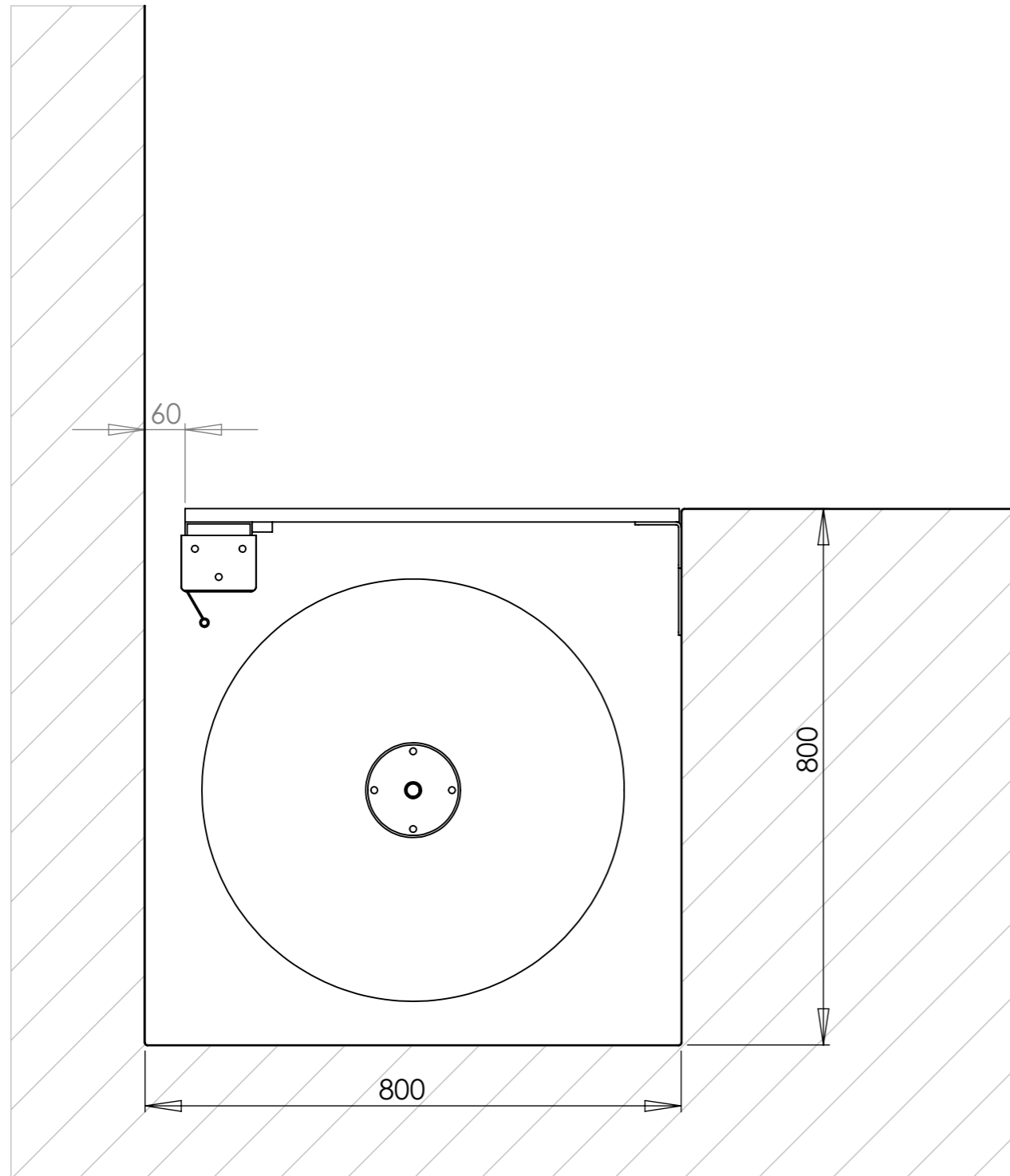
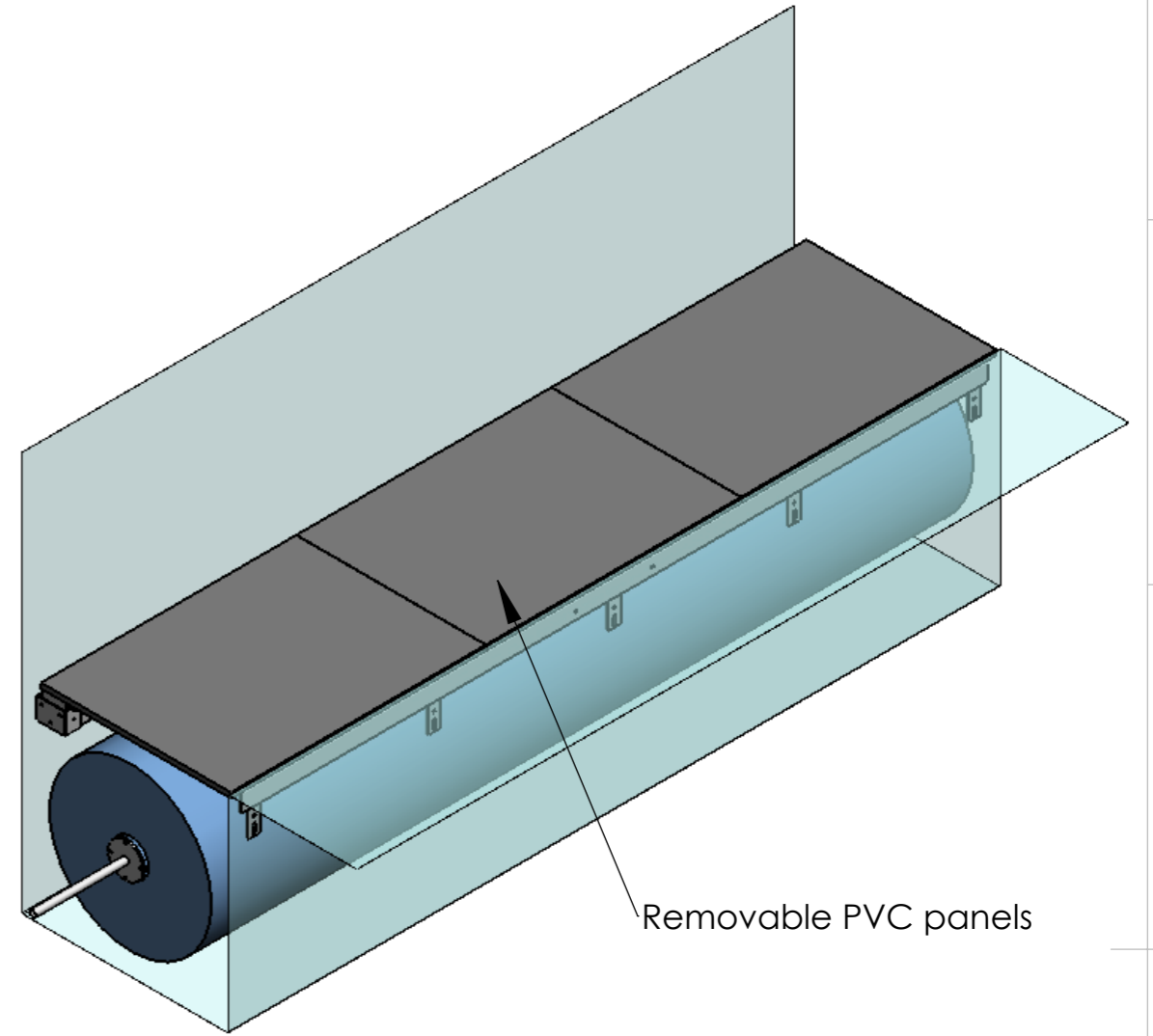


standard pit 800 x 800 mm

Max. pool length Max. badlengte Longueur max. piscine	20 m
---	------



REF.	CSY012.1
NL	Bodemnis
F	Fosse de Fond
UK	Pool Bottom Hinged Lid
D	Unterflursystem mit Bodenklappe

POOL PROTECTION
COVREX
 www.covrex.com info@covrex.com
 Tel : +32 16 55 37 70 Fax: +32 16 62 25 40
 Doc. version : TD.CSY012.1.3
 Date : 01/09/2014

TOLERANCES: LINEAR :+/- 2% ANGULAR :+/- 2% DO NOT SCALE DRAWING

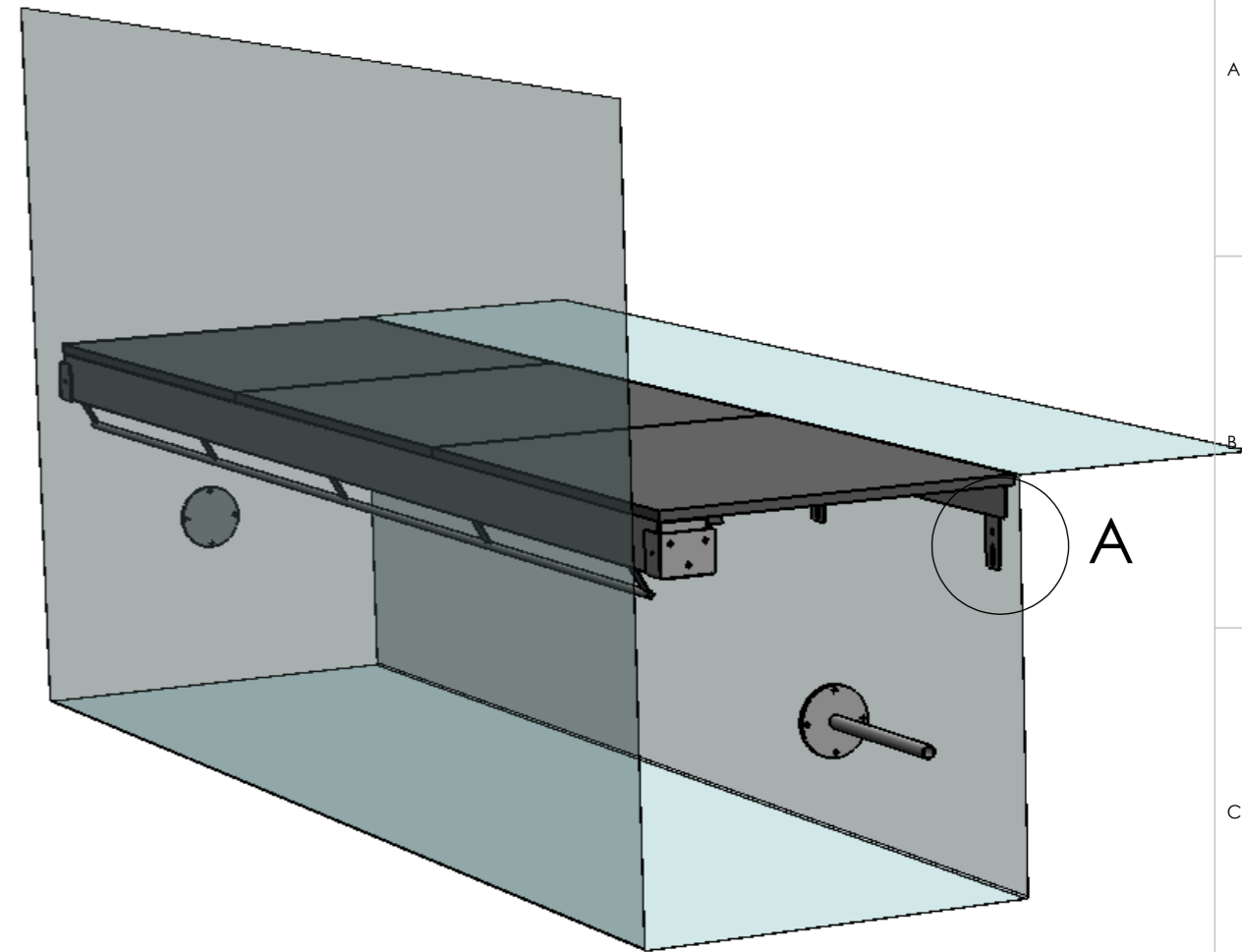
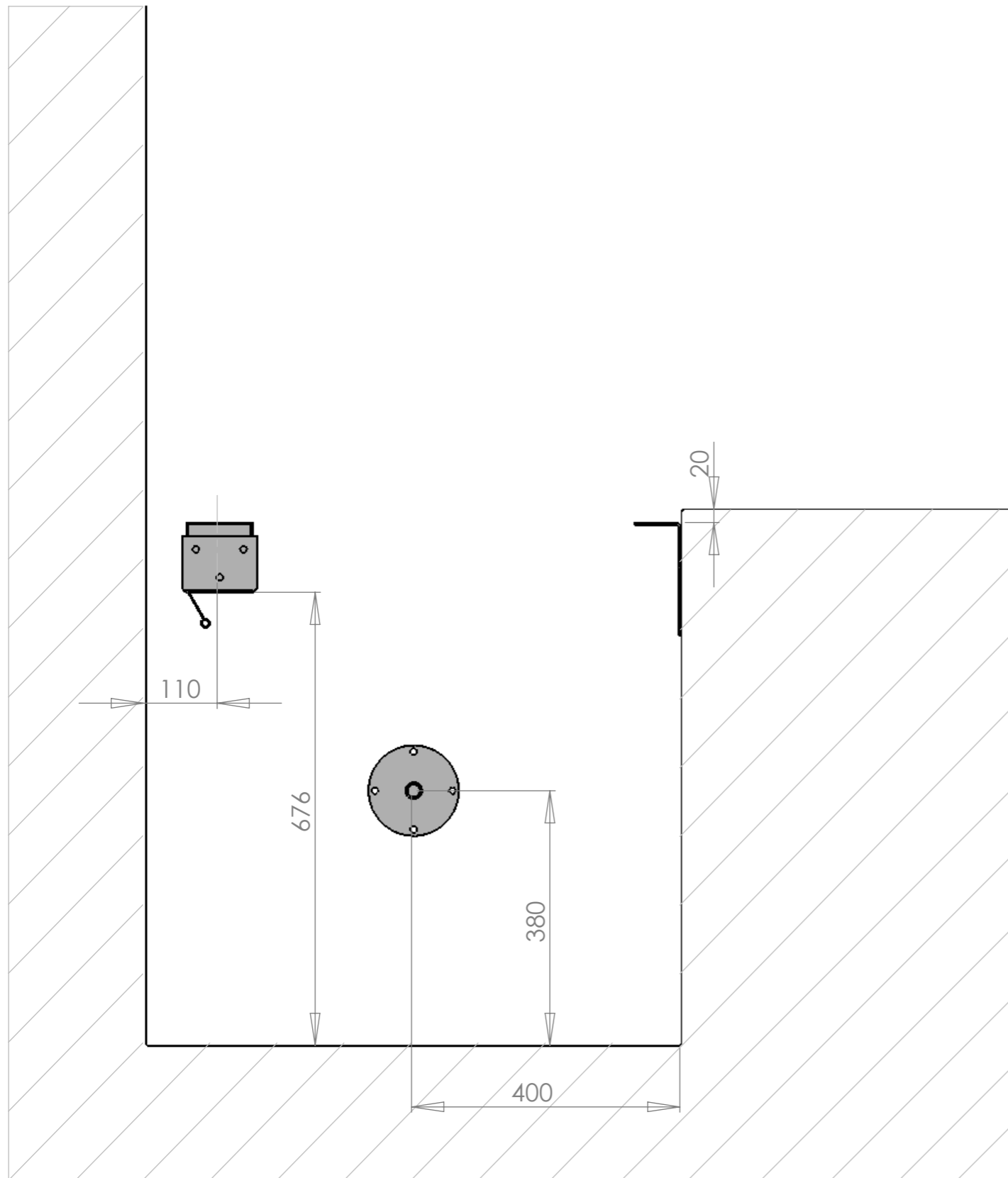
DIMENSIONS IN MILLIMETERS

SHEET 1 OF 3

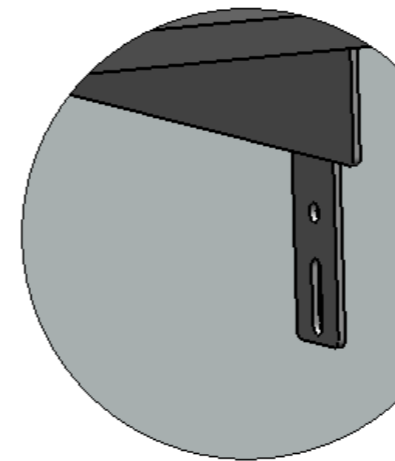
Drawing by Kantor Marika

INSTALLATION GUIDE

(for standard pit 800 x 800 mm)



DETAIL A
SCALE 1 : 4



REF.	CSY012.1
NL	Bodemnis
F	Fosse de Fond
UK	Pool Bottom Hinged Lid
D	Unterflursystem mit Bodenklappe

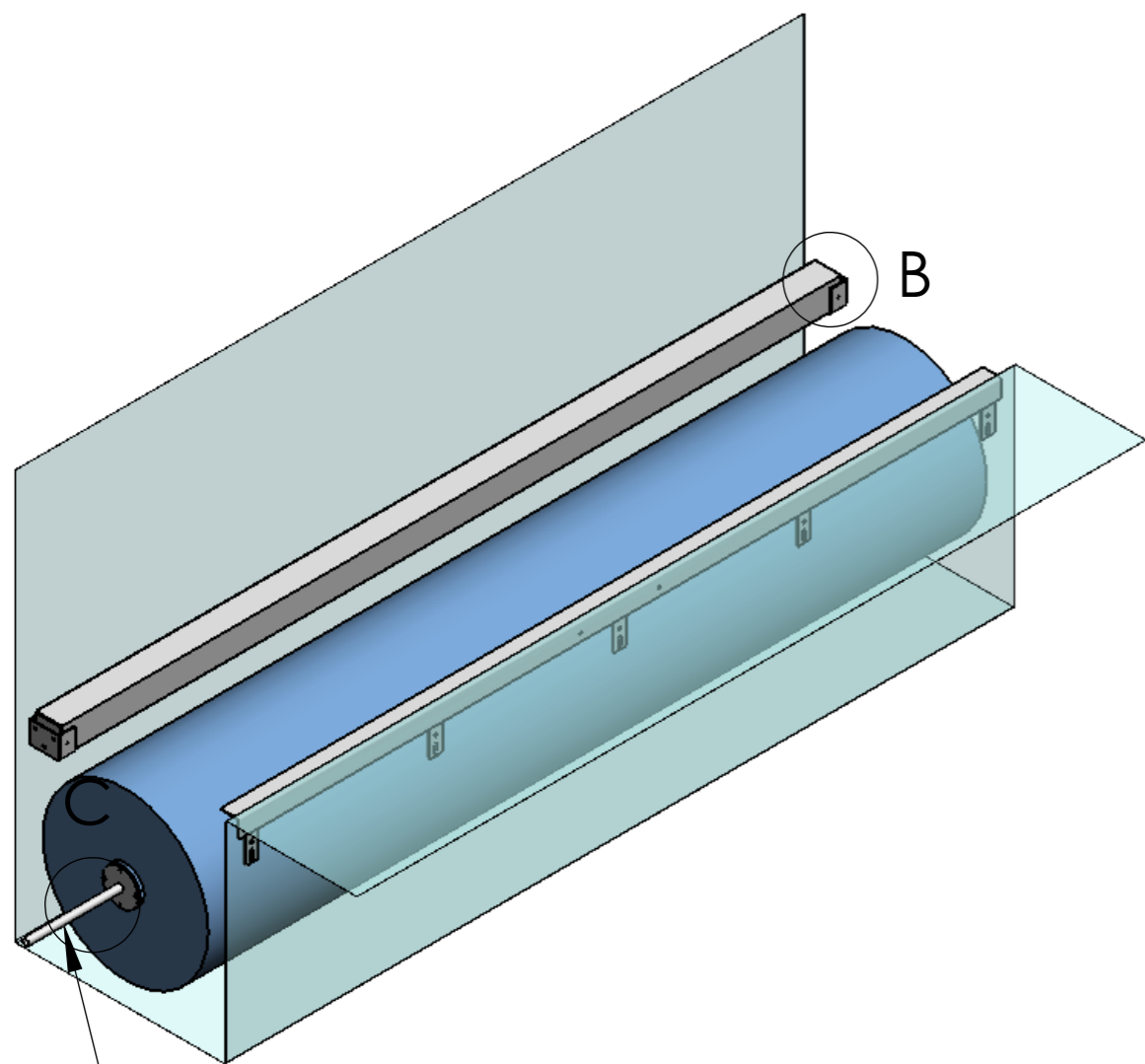
POOL PROTECTION
COVREX
www.covrex.com info@covrex.com
Tel : +32 16 55 37 70 Fax: +32 16 62 25 40
Doc. version : TD.CSY012.1.3
Date : 01/09/2014

TOLERANCES: LINEAR : +/- 2% ANGULAR : +/- 2% DO NOT SCALE DRAWING

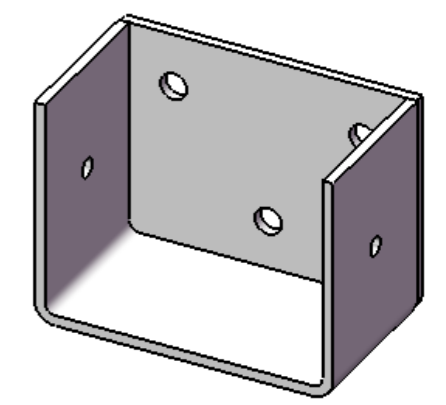
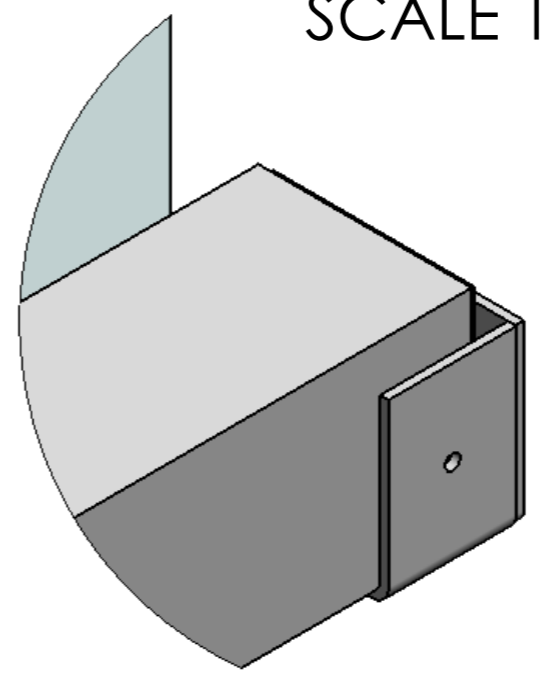
DIMENSIONS IN MILLIMETERS

SHEET 2 OF 3

Drawing by Kantor Marika

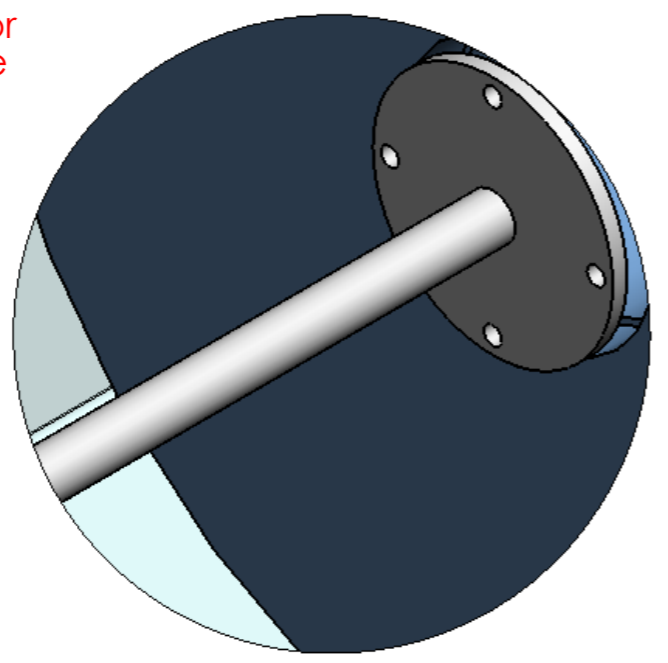


DETAIL B
SCALE 1 : 2.5

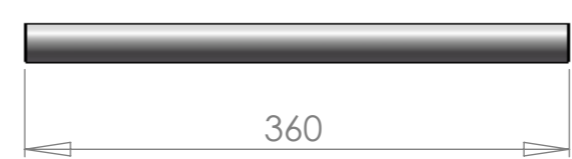


DETAIL C
SCALE 1 : 3

Wall conduit for electrical cable



Wall conduit:
tube $\varnothing 25 \times 2$



REF.	CSY012.1
NL	Bodemnis
F	Fosse de Fond
UK	Pool Bottom Hinged Lid
D	Unterflursystem mit Bodenklappe

POOL PROTECTION
COVREX
www.covrex.com info@covrex.com
Tel : +32 16 55 37 70 Fax: +32 16 62 25 40
Doc. version : TD.CSY012.1.3
Date : 01/09/2014

TOLERANCES: LINEAR : +/- 2% ANGULAR : +/- 2% DO NOT SCALE DRAWING

DIMENSIONS IN MILLIMETERS SHEET 3 OF 3

Drawing by Kantor Marika